

46. MQ, RMQ

MQ

50/60 Hz

Clamp

Pos.	Description/kit No	96450697
92	Clamp	1
93	Screw	1
93a	Washer	1
94	Self-locking nut	1

End cover

Pos.	Description/kit No	96488398
51	End cover	1
43	Tank cover	1
43a	Screw	1
152	Screw	6
152a	Spring washer	6
152b	Screw	4
152c	Spring washer	4
44	O-ring	1
52	O-ring	1

Fittings

Pos.	Kit No	Description	G 1" NPT 1"	
			96577720	96634763
			PPO	PPO
7	Plug		2	2
11a	O-ring	13.1 x 2.6	2	2
100	Union		1	1
100a	Adjustable discharge port		1	1
100b	O-ring	30.0 x 4.0	1	1
100c	O-ring	36.0 x 3.0	1	1
101	Suction port with non-return valve		1	1

Flow sensor

Pos.	Description/kit No	96450698
184	Cover with sensor	1
166a	Screw	6
185	Turbine wheel	1
185a	Washer	1
186	Turbine shaft	1
187	O-ring	49.2 x 3.5

Hydraulic parts

Pos.	Pump type	Frequency	All		
			MQ 3-35		
			50 Hz	60 Hz	60 Hz
	Description/kit No	96525909	96525930	96525931	
4	Chamber		4	2	3
4a	Empty chamber		1	2	1
6	Inlet part		1	1	1
10	Valve seat		1	1	1
11	O-ring	12.3 x 3.5	1	1	1
11b	Spring		1	1	1
13	O-ring	31.3 x 3.5	1	1	1
14	Self-priming part		1	1	1
37	O-ring	105.0 x 1.5	5	5	5
37a	O-ring	164.5 x 5.3	1	1	1
37b	O-ring	110.7 x 3.5	1	1	1
49	Impeller		4	2	3
66	Washer		1	1	1
66a	Lock washer		1	1	1
67	Nut		1	1	1

O-ring

Pos.	Description/kit No	96526628
7	Plug	2
10	Valve seat	1
11	O-ring	12.3 x 3.5
11a	O-ring	13.1 x 2.6
11b	Spring	1
13	O-ring	31.3 x 3.5
37	O-ring	105.0 x 1.5
37a	O-ring	164.5 x 5.3
37b	O-ring	110.7 x 3.5
38	O-ring	25 x 3
40	O-ring	18.7 x 2.6
44	O-ring	36.0 x 3.0
52	O-ring	98.0 x 3.5
53	O-ring	88.3 x 5.3
61a	O-ring	9.9 x 2.6
63	O-ring	28.2 x 3.5
64	O-ring	31.3 x 3.5
100b	O-ring	30.0 x 4.0
100c	O-ring	36.0 x 3.0
101a	O-ring	17.0 x 3.5
165	O-ring	158.4 x 2.6
174b	O-ring	13.1 x 2.6
187	O-ring	49.2 x 3.5

Pressure switch

Pos.	Description	MQ 3-25	MQ 3-35	MQ 3 45
	Kit No	96526654	96526653	98652420
174a	Pressure switch	1	1	1
174b	O-ring	1	1	1
175	Screws	3	3	3

Shaft seal

Pos.	Description/kit No	96450696
37	O-ring	105.0 x 1.5
37a	O-ring	164.5 x 5.3
37b	O-ring	110.7 x 3.5
66	Washer	1
66a	Lock washer	1
67	Nut	1
102	Washer	1
103	Stationary part	1
104	Rotating part	1

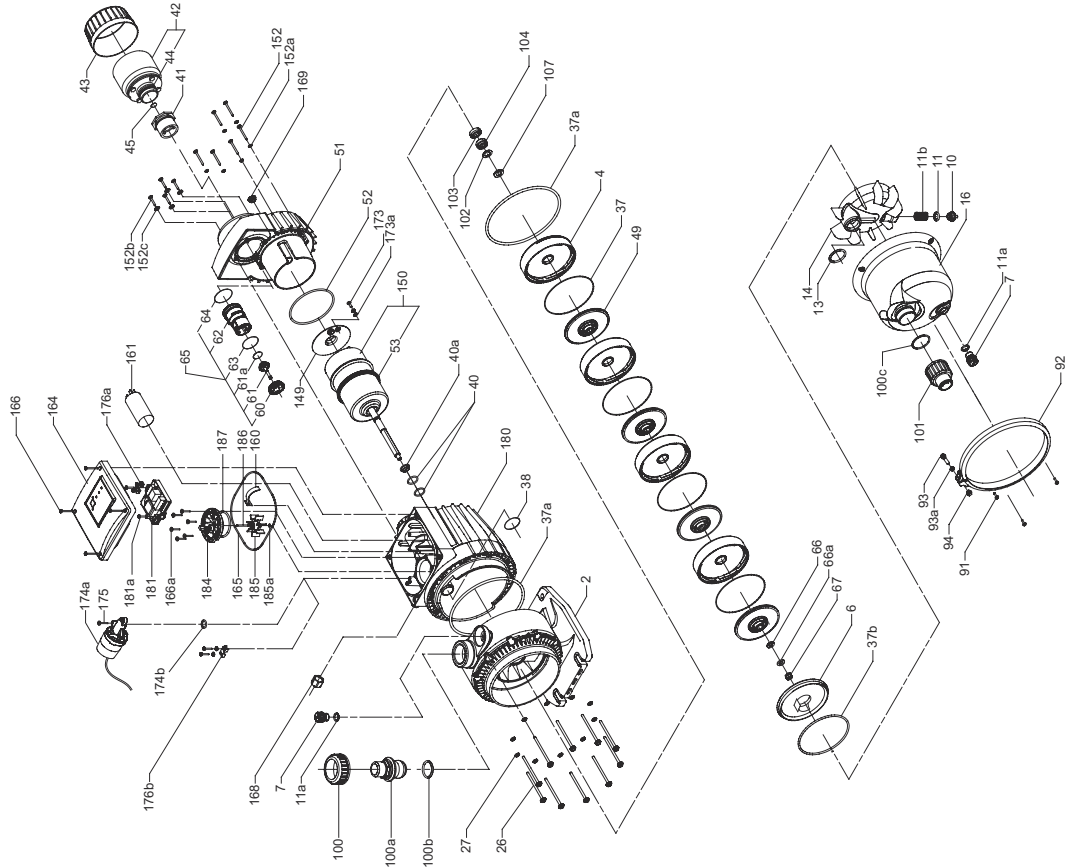
Terminal box connection

Pos.	Description/kit No	96488399
164	Terminal box cover	1
165	O-ring	158.4 x 2.6
166	Screw	4

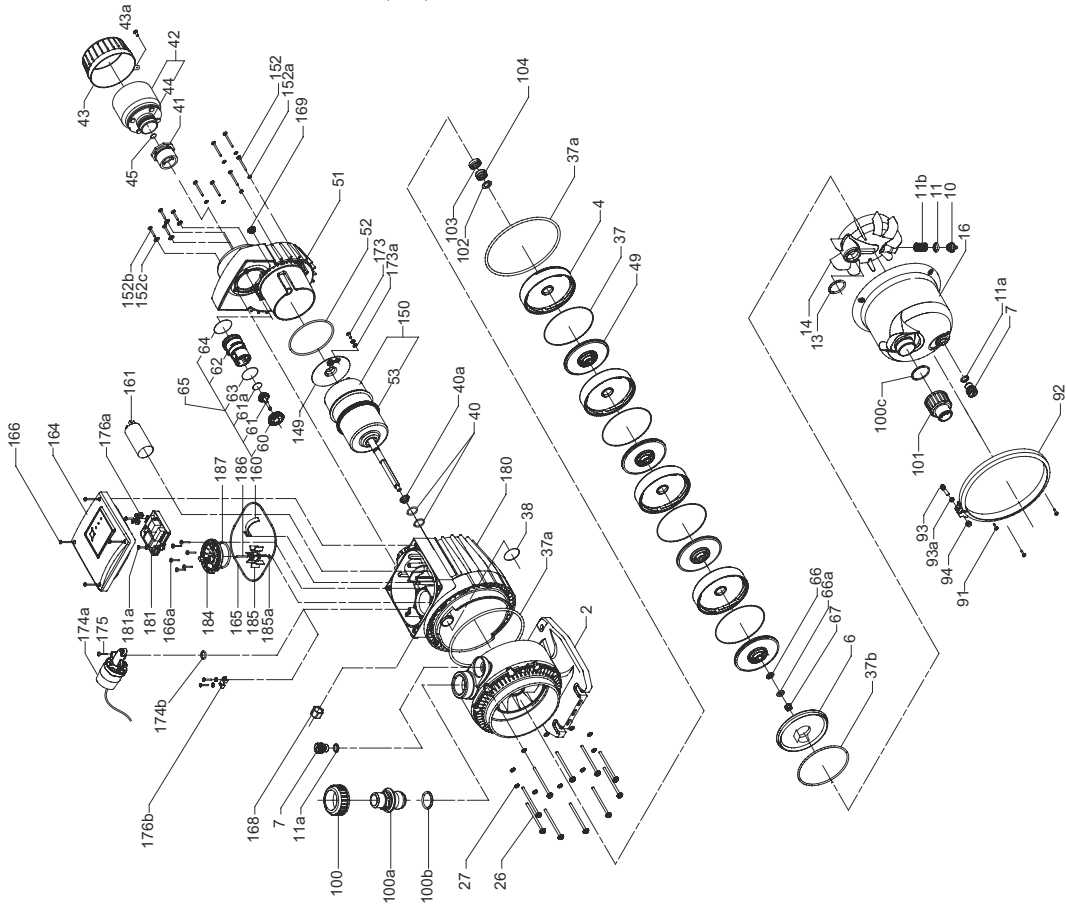
MQ 3-45 Model B

MQ MQ, RMQ

(until week 4, 2009)



(from week 4, 2009)



TM05 5951 1615 - TM05 5952 1615

Motor

Pos.	Pump type	MQ 3-35	MQ 3-45	MQ 3-25/35	MQ 3-45	MQ 3-35	MQ 3-45	MQ 3-25
		115 V	115 V	230 V	230 V	230 V	230 V	230 V
		60 Hz	60 Hz	50 Hz	50 Hz	60 Hz	60 Hz	50 Hz
Kit No		96488396	96488397	96488391	96488392	96489277	96489276	98916994
40	O-ring	2	2	2	2	2	2	2
40a	O-ring retainer	1	1	1	1	1	1	1
53	O-ring							
66	Washer	1	1	1	1	1	1	1
66a	Lock washer	1	1	1	1	1	1	1
67	Nut	1	1	1	1	1	1	1
150	Motor unit	1	1	1	1	1	1	1
160	Clip	1	1	1	1	1	1	1
161	Capacitor, 12.5 µF	-	-	1	1	-	-	1
161	Capacitor, 40 µF	1	1	-	-	1	1	-

Pos.	Pump type	MQ 3-35 AISI	MQ 3-45 AISI
		304/416	304/416
		230 V	230 V
Frequency		50 Hz	50 Hz
Kit No		96608428	96608429
40	O-ring	2	2
40a	O-ring retainer	1	1
53	O-ring		
66	Washer	1	1
66a	Lock washer	1	1
67	Nut	1	1
150	Motor unit with AISI 304/416 shaft	1	1
160	Clip	1	1
161	Capacitor, 12.5 µF	1	1

Drain plug

Pos.	Description/kit No	96457923
7	Plug	2
11a	O-ring 13.1 x 2.6	2

Electronic parts

Pos.	Frequency	Voltage	230 V	115 V	230 V
		50 Hz	60 Hz	60 Hz	
		Kit No			96525934
164	Terminal box cover	1	1	1	
181	Electronic unit	1	1	1	
181a	Screw	2	2	2	

Spare parts and bulk parts

Capacitor

Pos.	Capacitor size	12.5 µF	40 µF
	Kit No	96590742	97523217
161	Capacitor	1	1

Motor stool

Pos.	Description/kit No	96590739
2	motor stool	1

Non-return valve

Pos.	Description/kit No	96526663
65	Non-return valve complete	1

Pump cover

Pos.	Description/kit No	96590745
16	Pump cover	1

Tank

Pos.	Description/kit No	98893507
42	Pressure tank including O-ring	1

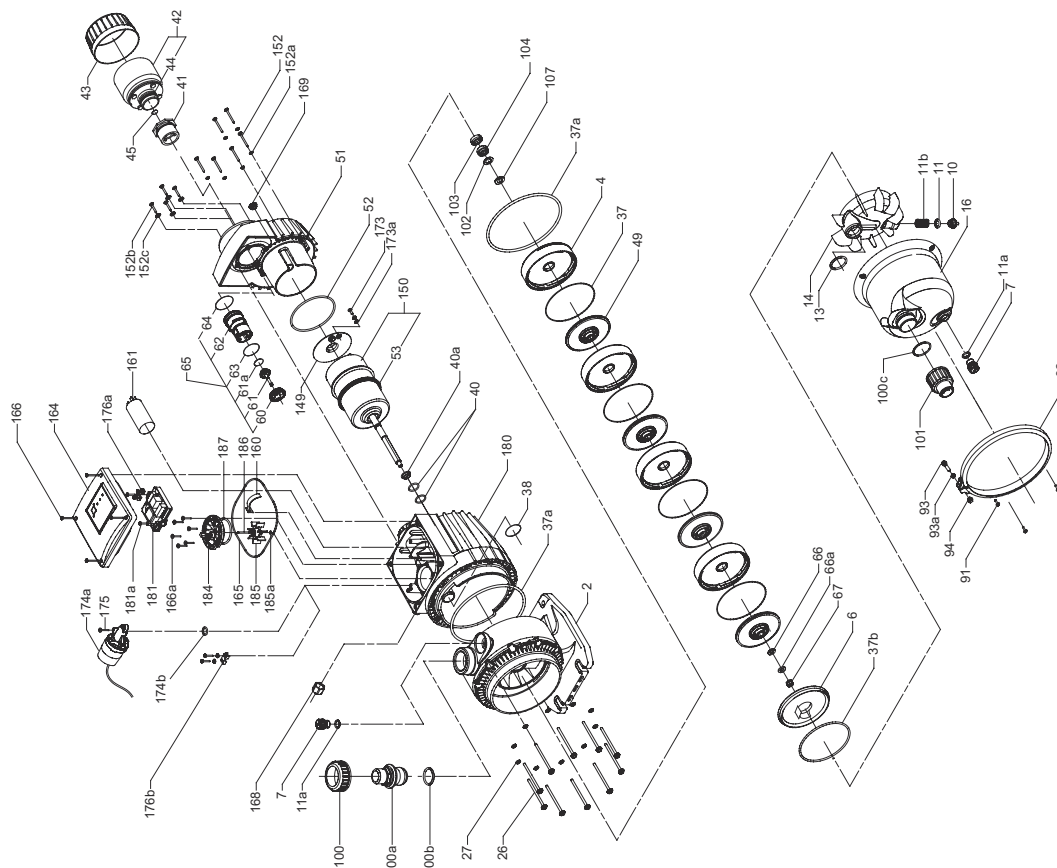
Motor housing

Pos.	Description/kit No	98664813
180	Motor housing MQ model B	1

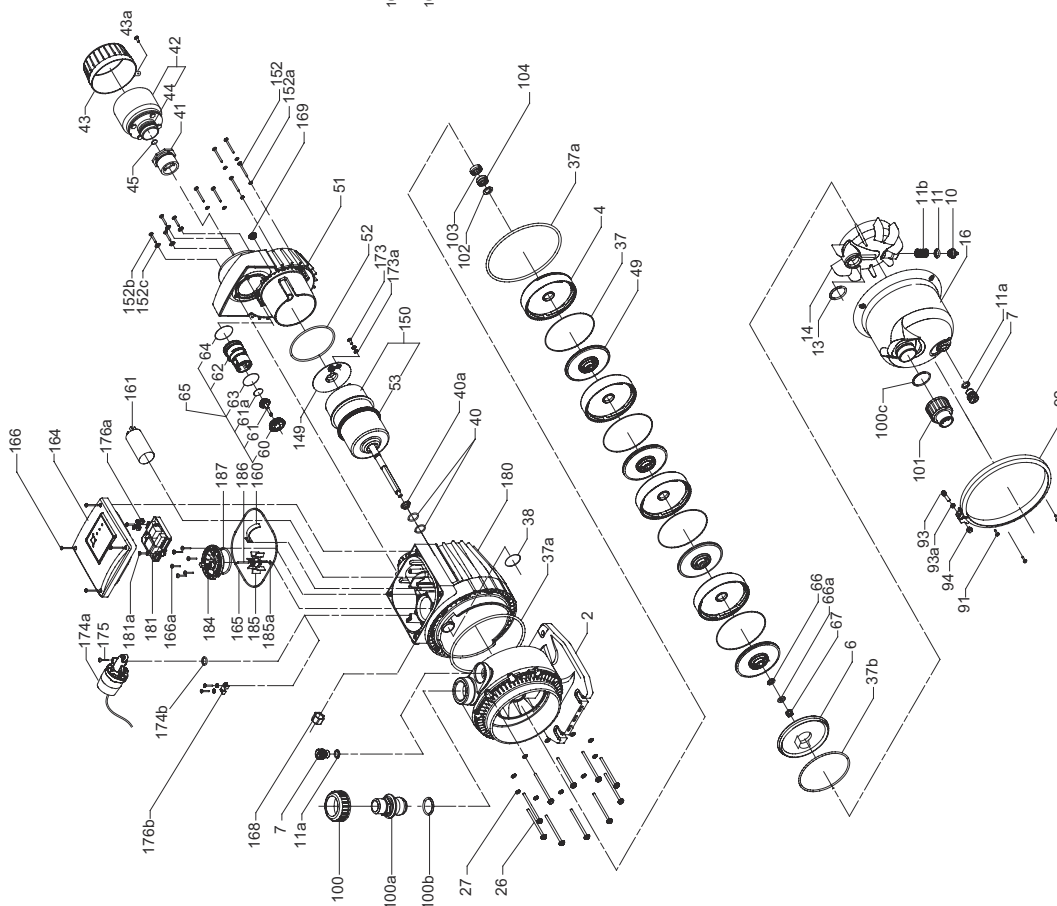
MQ 3-45 Model B

MQ MQ, RMQ

(until week 4, 2009)



(from week 4, 2009)



TM05 5951 4212 - TM05 5952 4212

RMQ**Control box**

Pos.	Description/kit No	RMQ A	RMQ B
		96603590	96603591
501	Control box complete	1	1

Float valve

Pos.	Description	Manufactured before 1 April 2009	Manufactured after 1 April 2009
		96961201	97505627
409	Float valve	1	1
410	3/4" hose	1	-
420	Steel angle	1	-

Housing

Pos.	Description/kit No	96603580
403	Housing	1
404	Wall-mounting fitting	1
405	Back plate	1
406	Plug	1
408	Strap	1
425	Fixing plate for pump	1
-	Eyelet	1

Internal water tank

Pos.	Description/kit No	96603568
401	Internal water tank	1
409	Float valve	1
410	3/4" inlet hose	1
420	Steel angle	1
424	Reed relay	1

Three-way valve

Pos.	Description/kit No	96603585
411	Motor	1
412	Three-way valve + fittings	1

Service parts**Motor for three-way valve**

Pos.	Description/kit No	96603584
411	Motor for three-way valve	1

Hose

Pos.	Description/kit No	96603583
413	1" hose	1

Level sensor

Pos.	Description/kit No	96603587
460	Level sensor, RMQ A	1

Level switch

Pos.	Description/kit No	96603588
460	Level switch, RMQ B	1

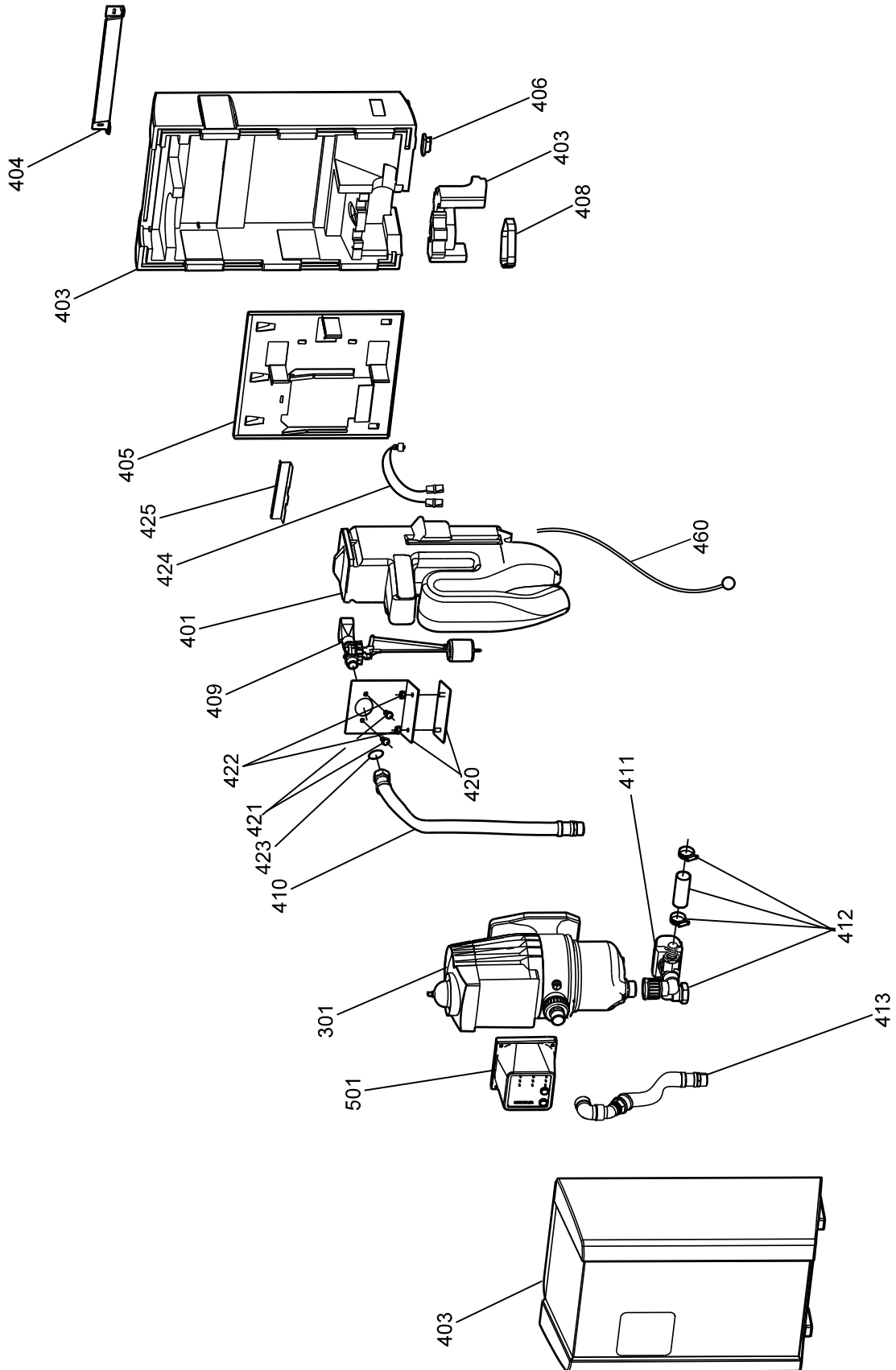
Reed relay

Pos.	Description/kit No	96603586
424	Reed relay	1

Float valve

Pos.	Description/kit No	97505627
409	Float valve	1
423	Seal	1

RMQ



TM02 64:55 04:05